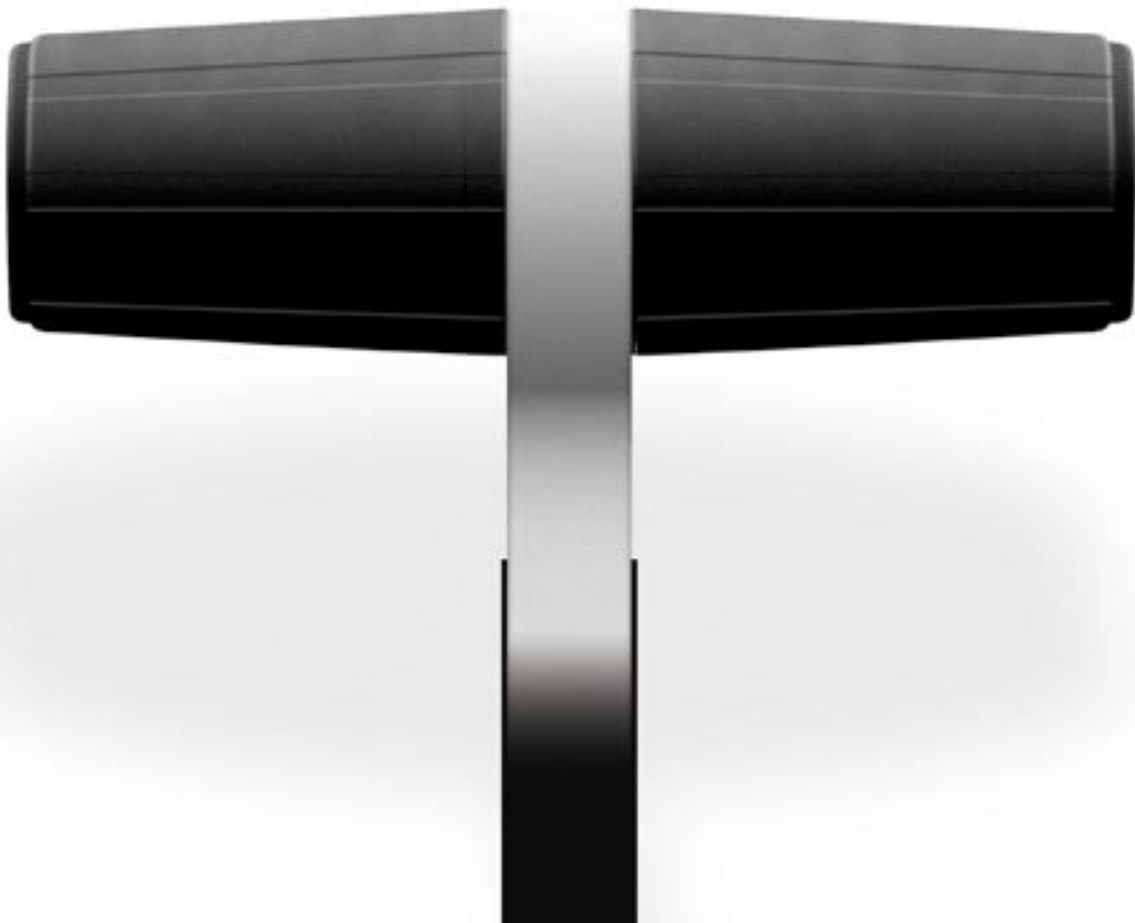


Turn it on. Engage the World.™

TriCaster™



Revolutionize Live Presentations



NewTek TriCaster™ is a portable presentation device that lets you seamlessly integrate live input from video cameras, video clips, still images, graphics, titles, and PowerPoint® and simultaneously output your project to a projector, video recorders and the Internet, all in a compact 10-pound case the size of a shoebox.



You need flexibility and ultimate visual quality to convey your message to your clients with maximum impact, and TriCaster provides you with several new technologies to make your presentation stand out. Connect up to 3 cameras and TriCaster flawlessly scales video up to match the XGA resolution of your projector. The internal video player allows you to cue videos for instant playback. And for PowerPoint users, TriCaster allows you to incorporate displays from other computers into your live presentation.

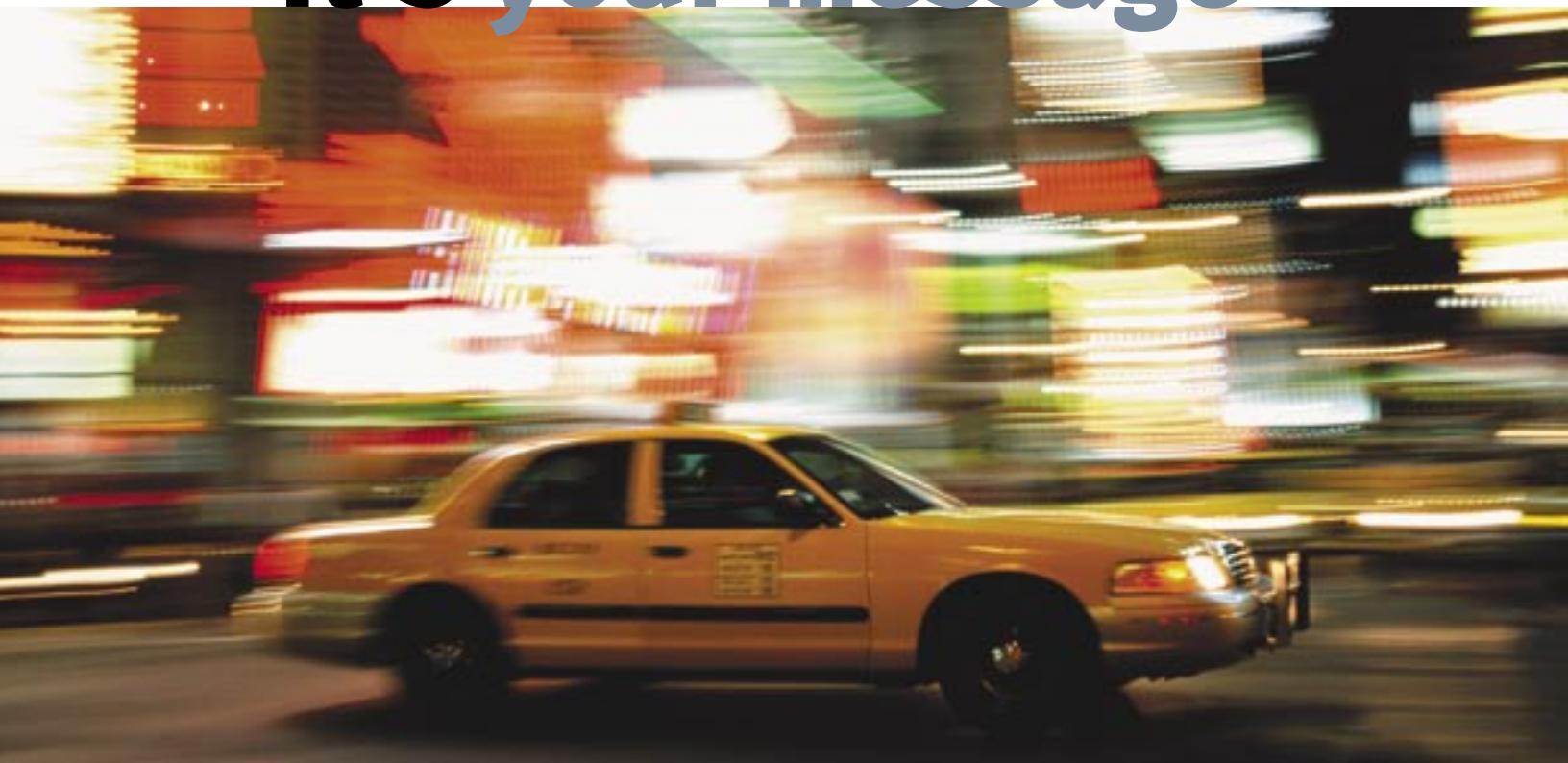
TriCaster is designed for busy professionals on a budget who are not familiar with video production equipment. A streamlined, plain-language interface lets you easily add the dynamics of live television to your presentations.

TriCaster replaces racks of expensive and confusing equipment with one portable, lightweight box that virtually anyone can operate.



It's your message

Live from your office.



Seamlessly mix...

*Audio, video, still images,
titles, and PowerPoint
presentations into one
compelling message.*



Portable Live Production

NewTek TriCaster allows you to stroll into a conference, connect cameras and instantly blend video, graphics, PowerPoint and live web pages for display to your projector. At the same time, you can output broadcast quality video and live web streams.



No Scan Converters Needed

Connect multiple computers and seamlessly mix their screens into your live presentation at projector resolution. The internal scalers in TriCaster automatically optimize resolution for all inputs and outputs.



...without being a video pro



Power



of



Three.

Efficiently distribute your message to a larger audience with TriCaster.

Send live output...

Projector

TriCaster sends your presentation to the projector or plasma screen with uncompromising quality. Integrated scaling technology means important computer graphics are seen in their full resolution, while video is smoothly scaled up to meet the projector resolution. The result is seamless display without the need for any additional expensive hardware.



Internet

Speed is efficiency, and the Internet lets you distribute your message now. Save time and money by ensuring that key customers receive your message the way you intended. Let TriCaster stream your message live to anyone on the planet, saving on travel costs and valuable time.



Video

TriCaster can send live and edited video throughout the facility, taking advantage of the existing video distribution network. Send your video directly to TVs in additional conference rooms, lobbies or classrooms. Output can also be recorded internally to the hard disk or to a real-time DVD Burner.



... to three destinations at once.

Specifications

Functions

Live Switching
Live Internet Streaming
Video Titling
Video Capture
VGA Scan Conversion
VGA Scaling
Non-linear Editing
Virtual VCR Playback
Picture Sequencing
Camera Setup
Color Background Creator
Audio Mixing

Inputs

3 Camera inputs (composite or Y/C)
2 Microphone inputs
1 Stereo RCA line input
2 FireWire® video inputs
6 USB 2.0 inputs

Outputs

2 Video outputs (S-Video and composite)
1 Stereo RCA line output
1 VGA monitor output
1 DVI/VGA projector output
1 Internet Streaming output
1 Headphone output

Storage

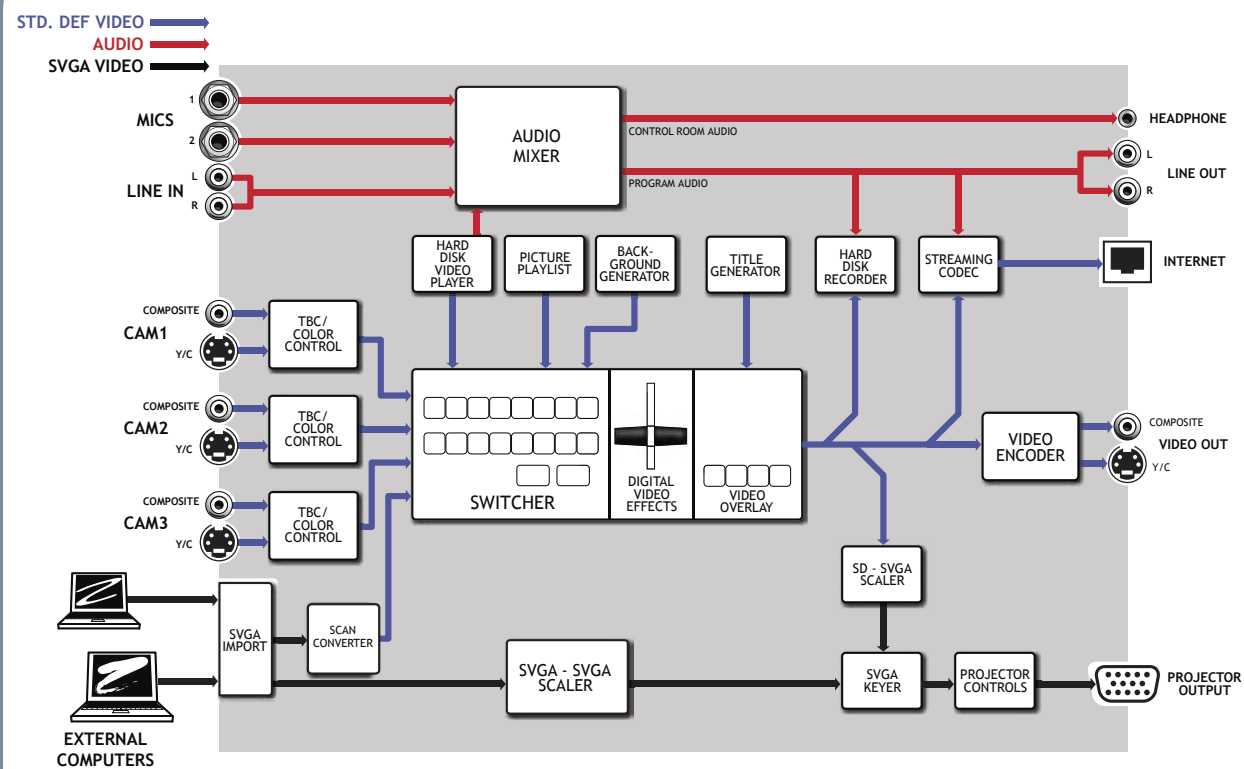
More than 6 hours of
digital video storage

Formats

Video: DV, avi, wmv, MPEG-1
Images: png, bmp, jpg, tga, psd
Audio: wav, mp3

Dimensions

11.5 x 8 x 7.5 inches
10 pounds



For more information or to schedule a live demonstration, contact:

NewTek Europe

17, avenue Léonard de Vinci - Europarc
33600 Pessac - France
Tel. +33 (0)5 57 262 262 - Fax +33 (0)5 57 262 261
newtek-europe.com



newtek-europe.com



DEMO@15!
PRODUCER'S PICK

